

MSQ Current Transformer

Technical characteristics of current transformers:

WINDOWSTYPE

Bar:30 × 10mm
conductor:ø20mm

Type	Rated current(A)	Rated power(VA)		Weight (kg)
		Class:0.5	Class:1	
MSQ-30	30/5	-	1	0,4
	40/5	-	1	0,4
	50/5	-	1	0,4
	60/5	-	1	0,4
	75/5	1	1.5	0,4
	80/5	1.5	2.5	0,4
	100/5	2.5	5	0,4
	150/5	5-10	5-10	0,4
	200/5	5-10	5-10	0,4
	300/5	5-10	5-10	0,4

WINDOWSTYPE

Bar:40 × 10mm
conductor:ø30mm

Type	Rated current(A)	Rated power(VA)		Weight (kg)
		Class:0.5	Class:1	
MSQ-40	100/5	2.5	2.5	0,38
	150/5	3	5	0,38
	200/5	5	5-10	0,38
	250/5	5-10	5-10	0,38
	300/5	5-10	5-10	0,38
	400/5	5-10	5-10	0,38
	500/5	5-10	5-10	0,38

WINDOWSTYPE

Bar:40 × 10mm
conductor:ø30mm

Type	Rated current(A)	Rated power(VA)		Weight (kg)
		Class:0.5	Class:1	
MSQ-60	250/5	5	5	0,60
	300/5	5	5	0,60
	400/5	5-10	5-10	0,60
	500/5	5-10	5-15	0,60
	600/5	10-15	10-1	0,60
	750/5	10-15	10-15	0,60
	800/5	10-15	10-15	0,60
	1000/5	15	15	0,60

WINDOWSTYPE

Bar:40 × 10mm
conductor:ø30mm

Type	Rated current(A)	Rated power(VA)		Weight (kg)
		Class:0.5	Class:1	
MSQ-100	1500/5	15	15	0,80
	1600/5	15	15	0,80
	2000/5	15	15	0,94
	2250/5	15	15	0,98
	2500/5	15	15	1,10
	3000/5	15	15	1,16



MSQ-30



MSQ-40



MSQ-60



MSQ-100

NSQ Current Transformer

NSQ Series:

Primary current:	30A-3000A
Secondary current:	5A,1A
Standard approval:	BS7626,IEC44-1
Maximum voltage:	0.66KV
Frequency:	50-60Hz
Rated load:	2.5VA,15VA
Class:	0.5,1.0,3.0
Short-time thermal current:	$I_{th}=60 \times I_h$
Rated security coefficient:	FS < 5

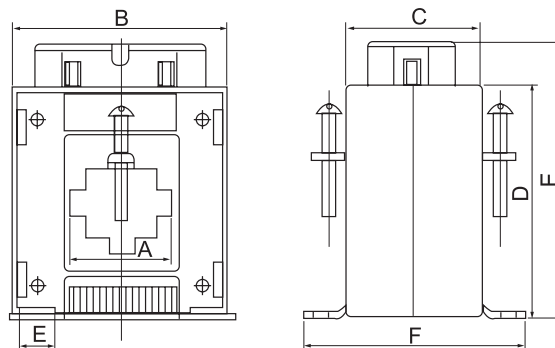
Technical data:

Model	Primary secondary	Bushbar Hole Dimension	Rated Load(VA)	class	Rated Voltage	Rated Frequency
NSQ-30	30/5A-300/5A	30 × 10mm	2.5~5	0.5/1.0	0.72	50/60Hz
NSQ-35	50/5A-400/5A	35 × 10mm	5	0.5/1.0	0.72	50/60Hz
NSQ-40	100/5A-600/5A	40 × 10mm	10	0.5/1.0	0.72	50/60Hz
NSQ-60	600/5A-1600/5A	60 × 10mm	15	0.5/1.0	0.72	50/60Hz
NSQ-100	800/5A-3000/5A	100 × 10mm	15	0.5/1.0	0.72	50/60Hz

Dimensions of case(mm)

Model	A	B	C	D	E	F
NSQ-30	30	78	46	95	112	70
NSQ-35	40	70	46	84	100	70
NSQ-40	45	80	46	87	104	70
NSQ-60	60	110	53	130	148	80
NSQ-100	100	155	53	174	191	80

Dimensions



NSQ-30



NSQ-35



NSQ-40



NSQ-60



NSQ-100

RCT Current Transformers

RCT Series:

Primary current:	30A-3000A
Secondary current:	5A,1A
Standard approval:	IEC44-1
Maximum voltage:	0.66KV
Frequency:	50-60Hz
Rated load:	15VA
Class:	1.0
Short-time thermal current:	$I_{th}=60 \times I_n$
Rated security coefficient:	FS < 5

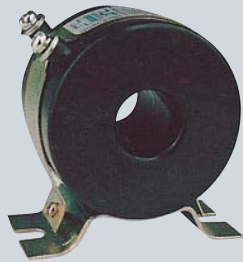
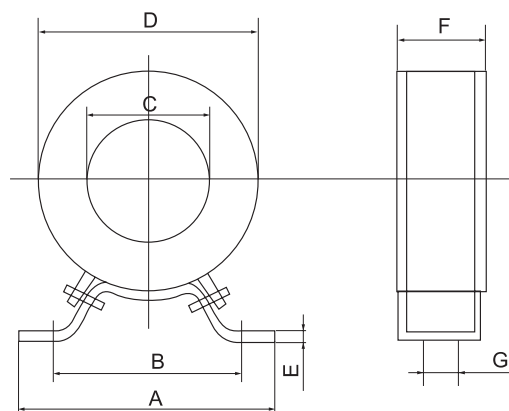
Specificaton:

Model	Primary/secondary(A)
RCT-25	15/5,20/5,30/5,40/5,50/5,60/5,75/5,100/5A
RCT-35	30/5,50/5,60/5,80/5,100/5,120/5,150/5,200/5A,250/5,300/5
RCT-60	300/5,400/5,500/5,600/5,800/5,1000/5,1200/5
RCT-90	800/5,1000/5,1200/5,1500/5,1600/5
RCT-110	1000/5,1200/5,1500/5,1600/5,2000/5,2500/5,3000/5

Specificaton:

Model	RCT-25	RCT-35	RCT-60	RTC-90	RCT-110
A	93	93	93	93	102
B	78	78	78	78	86
C	25	32	60	90	111
D	78	78	104	136	157
E	2	2	2	2	2
F	55	55	41	41	52
G	9	9	9	9	9

Outline drawing:



RCT-25



RCT-35



RCT-60



RCT-90



RCT-110